



Closet Material / Hinges / Shims
Organizing Busy Lives



EL & EL Wood Products Corp.

Millwork that creates distinction.™

Closet Material / Hinges / Shims

Organized closets and garages are essential for today's busy lifestyle and add value to any home. When it comes to choosing materials to complete these projects, multiple options exist.

The most widely used materials are particle board shelving and closet pole, however, wire shelving and melamine shelving are gaining popularity. With some ingenuity, you can create the same closets and garages that closet organizing companies design at a fraction of the cost. Create your own space with sectional dividers, drawers, cupboards, shelving and clothes hanging areas.

To compliment your projects we carry in-stock a selection of commonly used steel based Residential and Commercial hinges and shims.

All of our hinges are imported and tested in accordance with the specifications of the American National Standard Institute (ANSI A156.7) and the BHMA finish standard. All hinges are ANSI templates and the factory is ISO 9002.

Builders Shims are also available in both Contractor's Choice cedar and Retailer's Choice pine. Builders Shims aid the installation of door and window frames, as well as being used to form concrete.

CLOSETS 101

Basic Closet Width = 24" (min. clearance)/30" (recommended)

Hanging Space = 4 linear feet min. per person

Storage Shelf Space = 8 square feet min. per person

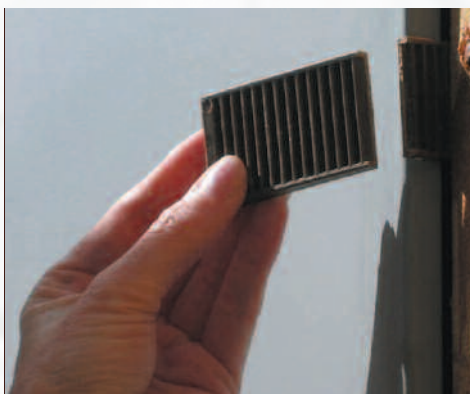
Min. Distance from Top of Rod to Floor*:

Dresses (63")	Skirts (45")
Coats (63")	Trousers (45")
Jackets (45")	Suits (45")
Evening Gowns (72")	Shirts/Blouses (30-45")

*Dimensions taken from Timesaver Standards for Housing and Residential Development, by De Chiara, Panero, and Neinik (McGraw-Hill, Inc., second edition, 1995)

SECTION CONTENTS

Brackets	451	MDF Shelving	450
Cleat	451	Melamine Shelving.....	450
Closet Poles.....	450	Particle Board Shelving.....	450
Edge Banding	451	Pine Shelving.....	450
Hinge Finishes	452	Pole Covers	450
Hinges (Commercial)	455	Rosettes.....	451
Hinges (Residential)	453	Shelf Supports	451
Hook	451	Shims	457





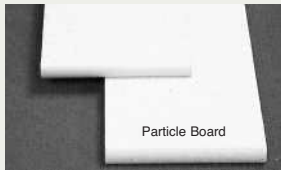
Melamine Shelving

Part #	Size	Stocked Length
MS1	5/8 x 11-1/4	8'
MS2	5/8 x 15-1/4	8'
MS3	5/8 x 23-1/4	8'
MS4	3/4 x 11-1/4	8'
MS5	3/4 x 15-1/4	8'
MS6	3/4 x 23-1/4	8'



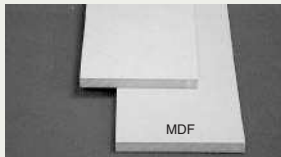
Melamine Pre-Drilled Dividers

Part #	Size	Stocked Length
MD1	5/8 x 11-1/2	7'
MD2	5/8 x 15-1/2	7'
MD3	5/8 x 23-1/2	7'
MD4	3/4 x 11-1/2	7'
MD5	3/4 x 15-1/2	7'
MD6	3/4 x 23-1/2	7'



Particle Board Shelving

Part #	Size	Stocked Length
11PB	5/8 x 11-1/4 Bullnose	8', 16'
12PB	5/8 x 15-1/4 Bullnose	16'
13PB	5/8 x 23-1/4 Bullnose	16'
16PB	3/4 x 11-1/4 Flat Edge S4S	16'
17PB	3/4 x 15-1/4 Flat Edge S4S	16'



MDF Shelving

Part #	Size	Stocked Length
11MDF	11/16 x 11-1/4 MDF Bullnose	16'
12MDF	11/16 x 15-1/4 MDF S4S	16'
13MDF	11/16 x 23-1/4 MDF S4S	16'



Pine Shelving

Part #	Size	Stocked Length
PS	11/16 x 11-1/4 #2 Pine	6' - 16'



Chrome Pole

Part #	Size	Stocked Length
CPR	1-1/16 Chrome Round Pole	8', 12'
CPO	Chrome Oval Pole	8', 12'



Fir & Pine Closet Pole

Part #	Size	Stocked Length
802	1-1/4 Fir Full Round	6' - 20'
803	1-3/8 Fir Full Round	6' - 20'
802P	1-1/4 Pine Full Round	6' - 16'
802PFJ	1-1/4 FJ Pine Full Round	16' + Trimbacks



Pole Covers

Part #	Size	Stocked Length
PC	White Plastic for 1-1/4 or 1-3/8	12'



CLOSET MATERIAL



Hook		Stocked Length
Part #	Size	
15FB	9/16 x 3-1/4 IEE FB Hook	16'
15MH	9/16 x 3-1/4 FJ Milled Hook Strip	16'
MLH	5/8 x 3-1/4 Melamine Hook	8'
CH	1 x 4 #3 Common Pine Hook	6' - 16'



Cleat		Stocked Length
Part #	Size	
10FB	9/16 x 1-1/2 IEE FB Cleat	16'
10FJ	11/16 x 1-1/2 FJ Cleat	16'



Rosettes		Stocked Length
Part #	Size	
CRR	Chrome Rosette (use w/chrome pole -round)	-
CRO	Chrome Rosette (use w/chrome pole -oval)	-
WR	Wood Rosette (100 PR p/box)	-
R	Plastic Rosette (100 PR p/box)	-



Brackets		Stocked Length
Part #	Size	
4750	Brackets (80 Pcs. p/box)	-
4700	Swivel End Brackets (20 Pcs. p/box)	-
4800	Heavy Duty Brackets (20 Pcs. p/box)	-



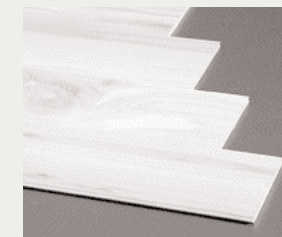
Support Bracket		Stocked Length
Part #	Size	
CPS-O	Chrome Pole Support Bracket - Oval Pole Only	-



Plastic Shelf Supports		Stocked Length
Part #	Size	
SS	Plastic Shelf Supports	12 Pcs./Bag



Edge Banding		Stocked Length
Part #	Size	
EB1	5/8" Edge Banding	250' Roll
EB2	3/4" Edge Banding	250' Roll

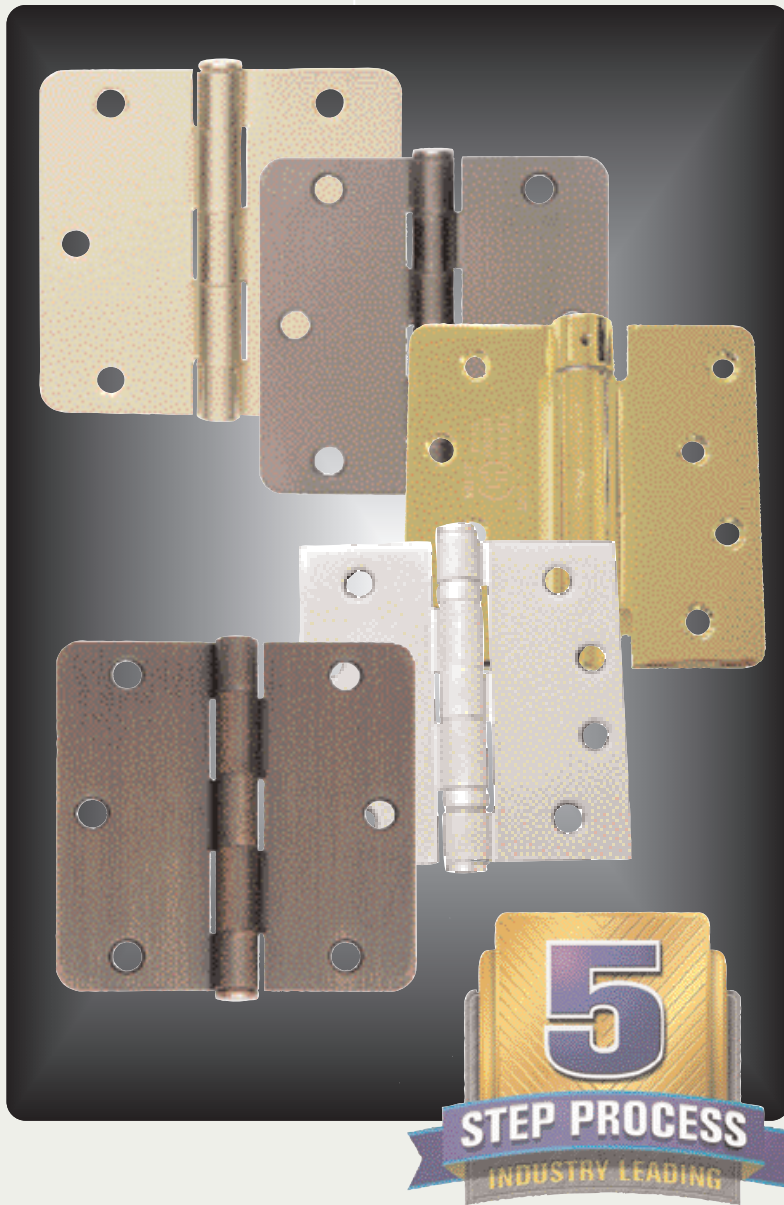


Aromatic Cedar Closet Lining		Stocked Length
Part #	Size	
3CL	5/16 x 3-7/8 T&G Cedar	8'
4CL	5/16 x 4-7/8 T&G Cedar	8'

AMBASSADOR HINGES

Quality hinges require attention to details, inside and out. With Ambassador's unique 5-step process, each hinge is meticulously made. Starting with the highest quality steel, all oils and residue are removed. Each component is brushed for superior adhesion of its finish. To protect from corrosion, each hinge leaf and pin are nickel plated before the final finishes are applied. For better protection and longer lasting durability, epoxy-resin coating is applied. Prior to final assembly, the pins are lubricated for reduced friction.

We offer a wide selection of hinges for both residential and commercial applications. Our Ambassador Hinges are tested in accordance to ANSI A156.7 specification. The factory is ISO 9002 certified.



HINGES - FINISHES



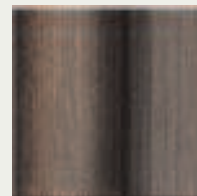
US2D
Zinc Dichromate



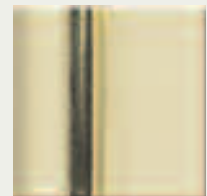
US3/4
US4 Brighter



US4
Satin Brass



US10B
Antique Oiled Bronze



US3
Bright Brass



US15
Satin Nickel



US15A
Antique Nickel



US26
Bright Chrome



US26D
Satin Chrome



USP-P
Prime



RESIDENTIAL HINGES

Reversible

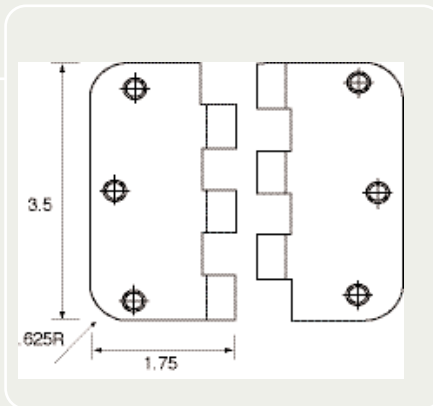
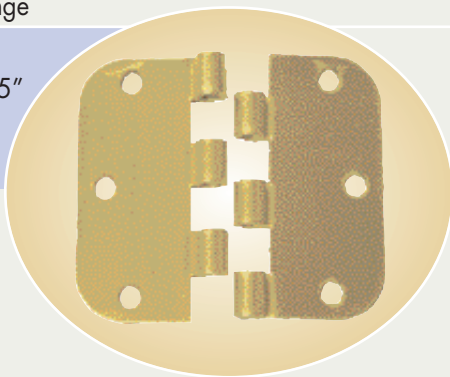
General Application Hinge

6 KNUCKLE

Size: 3.5" x 3.5"

Thickness: .087"

Available in 5/8" radius

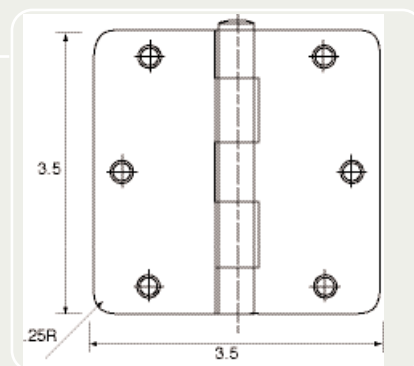
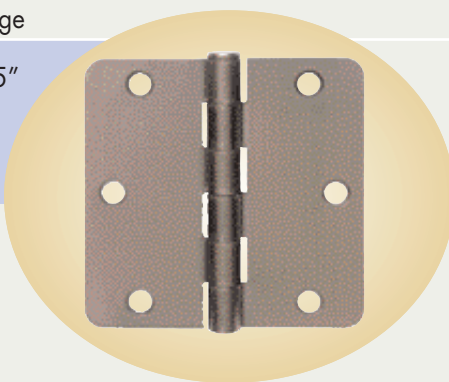


General Application Hinge

Size: 3.5" x 3.5"

Thickness: .087"

Available in 1/4" radius



Reversible

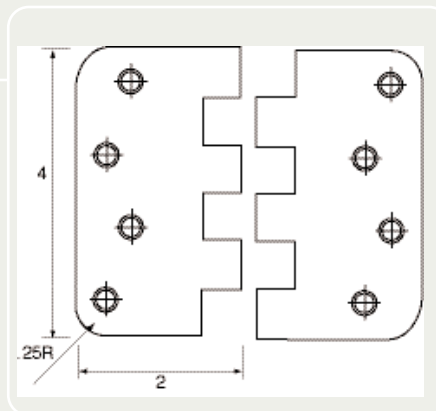
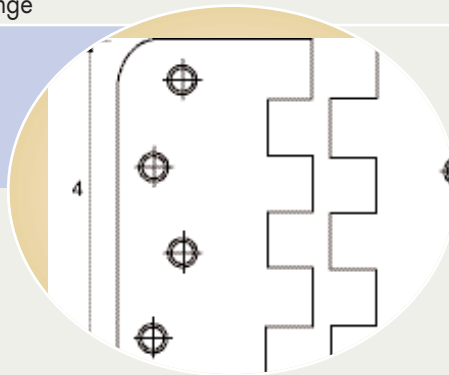
General Application Hinge

6 KNUCKLE

Size: 4" x 4"

Thickness: .095"

Available in 1/4" radius

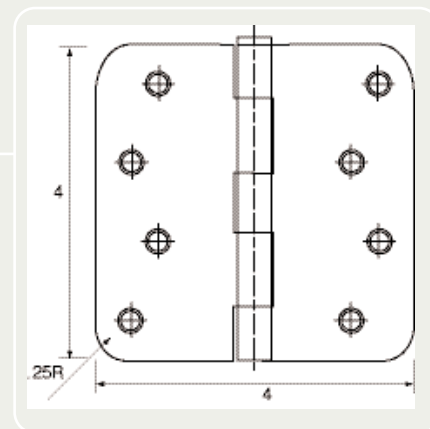
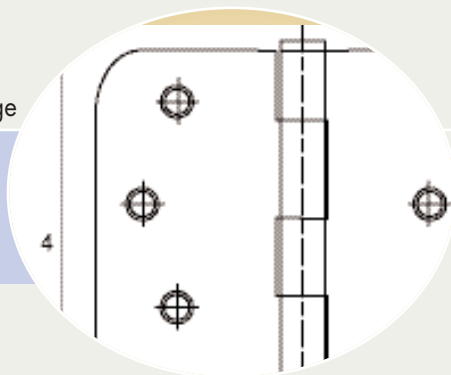


General Application Hinge

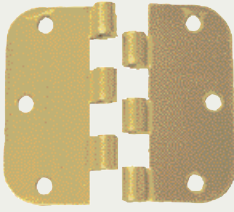
Size: 4" x 4"

Thickness: .095"

Available in 1/4" radius



AMBASSADOR HINGES - RESIDENTIAL



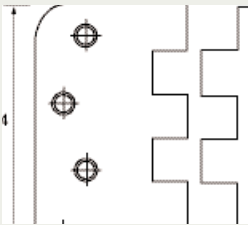
6 KNUCKLE

PART #	FINISH	SIZE	RADIUS/GAUGE
R35ZDU-5	US2D - Zinc Dichromate - Unassembled	3-1/2 x 3-1/2	5/8" / .087
R35SBU-5	US4 - Satin Brass - Unassembled	3-1/2 x 3-1/2	5/8" / .087
R35SCU-5	US26D - Satin Chrome - Unassembled	3-1/2 x 3-1/2	5/8" / .087



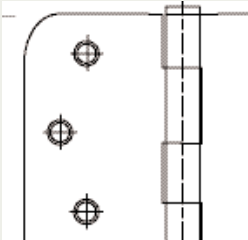
5 KNUCKLE

PART #	FINISH	SIZE	RADIUS/GAUGE
R35BB	US3 - Bright Brass	3-1/2 x 3-1/2	1/4" / .087
R35SBA-1	US4 - Satin Brass	3-1/2 x 3-1/2	1/4" / .087
R35ORB	US10B - Oil Rubbed Bronze	3-1/2 x 3-1/2	1/4" / .087
R35SN	US15 - Satin Nickel	3-1/2 x 3-1/2	1/4" / .087
R35AN	US15A - Antique Nickel	3-1/2 x 3-1/2	1/4" / .087
R35BC	US26 - Bright Chrome	3-1/2 x 3-1/2	1/4" / .087
R35SCA-1	US26D - Satin Chrome	3-1/2 x 3-1/2	1/4" / .087



6 KNUCKLE

PART #	FINISH	SIZE	RADIUS/GAUGE
R40BSBU	US3-4 - Brighter Satin Brass - Unassembled	4 x 4	1/4" / .095

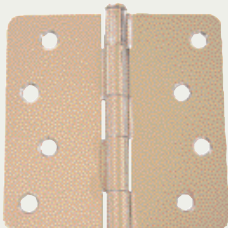


5 KNUCKLE

PART #	FINISH	SIZE	RADIUS/GAUGE
R40ZD	US2D - Zinc Dichromate	4 x 4	1/4" / .095
R40BB	US3 - Bright Brass	4 x 4	1/4" / .095
R40BSBA	US3-4 - Brighter Satin Brass	4 x 4	1/4" / .095
R40SB-T	US4 - Satin Brass Template	4 x 4	1/4" / .095
R40ORB	US10B - Oil Rubbed Bronze	4 x 4	1/4" / .095
R40SN	US15 - Satin Nickel	4 x 4	1/4" / .095
R40AN	US15A - Antique Nickel	4 x 4	1/4" / .095
R40BC	US26 - Bright Chrome	4 x 4	1/4" / .095
R40SC	US26D - Satin Chrome	4 x 4	1/4" / .095
R40P	USP - Prime Coat	4 x 4	1/4" / .095



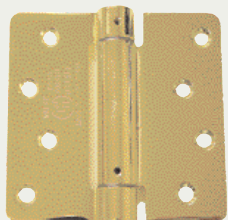
Non-Removable



5 KNUCKLE

PART #	FINISH	SIZE	RADIUS/GAUGE
R40ZD-NRP	US2D - Zinc Dichromate	4 x 4	1/4" / .095
R40BB-NRP	US3 - Bright Brass	4 x 4	1/4" / .095
R40BSB-NRP	US3-4 - Bright Satin Brass	4 x 4	1/4" / .095
R40ORB-NRP	US10B - Oil Rubbed Bronze	4 x 4	1/4" / .095
R40SN-NRP	US15 - Satin Nickel	4 x 4	1/4" / .095
R40BC-NRP	US26 - Bright Chrome	4 x 4	1/4" / .095
R40SC-NRP	US26D - Satin Chrome	4 x 4	1/4" / .095
R40P-NRP	USP - Prime Coat	4 x 4	1/4" / .095

Self Closing



PART #	FINISH	SIZE	RADIUS/GAUGE
R40BBSC	US3 - Bright Brass	4 x 4	1/4" / .098
R40SBSC	US4 - Satin Brass	4 x 4	1/4" / .098
R40ORBSC	US10B - Oil Rubbed Bronze	4 x 4	1/4" / .098
R40ANSC	US15A - Antique Nickel	4 x 4	1/4" / .098
R40BCSC	US26 - Bright Chrome	4 x 4	1/4" / .098
R40SCSC	US26D - Satin Chrome	4 x 4	1/4" / .098
R40PSC	USP - Prime Coat	4 x 4	1/4" / .098

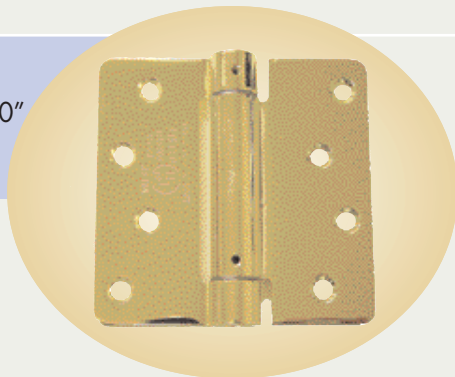


COMMERCIAL HINGES

Residential & Commercial

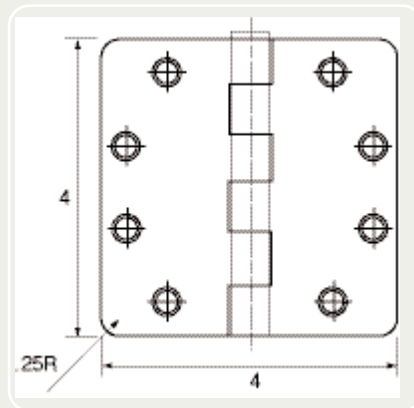
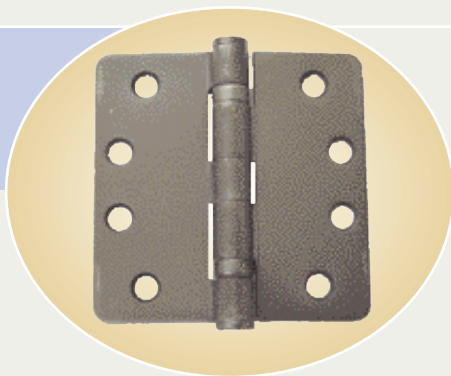
Spring Hinge

Size: 4" x 4"
Thickness: .098" & .130"
 Available in 1/4" radius



Commercial Hinge

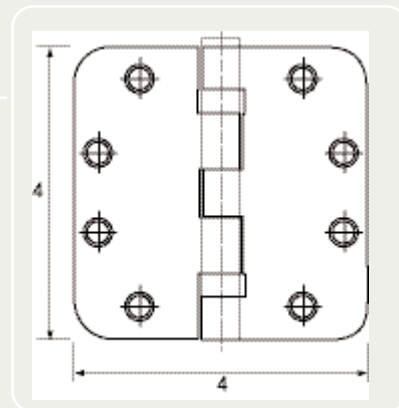
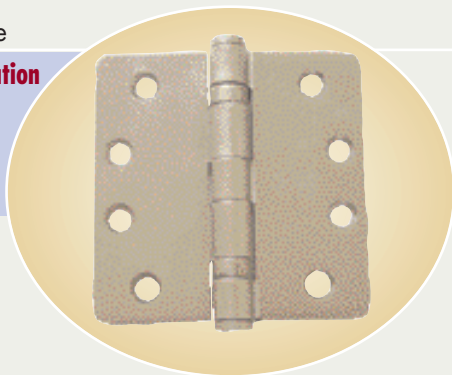
Size: 4" x 4"
Thickness: .130"
 Available in 1/4" radius and square



Template, Ball Bearing Hinge

UL Listed for fire door application

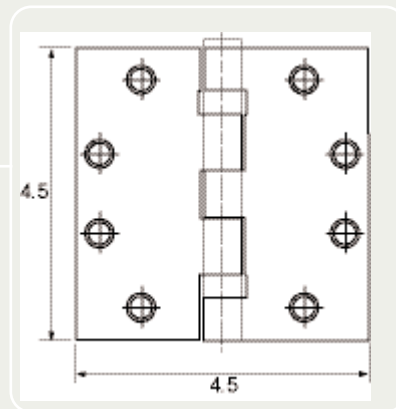
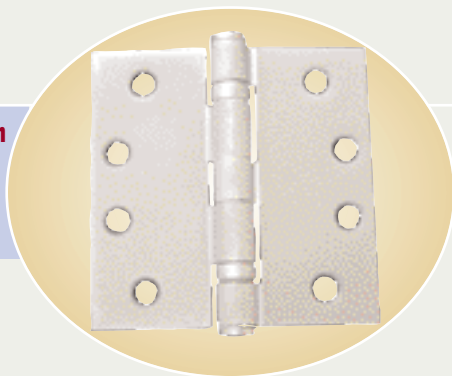
Size: 4" x 4"
Thickness: .130"
 Available in 1/4" radius and square



Template, Ball Bearing Hinge

UL Listed for fire door application

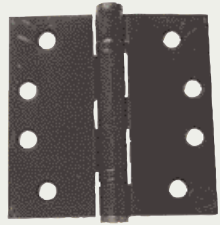
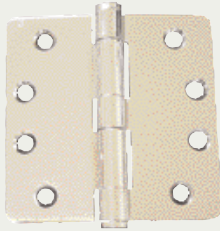
Size: 4.5" x 4.5"
Thickness: .134"
 Available in square corners



AMBASSADOR HINGES - COMMERCIAL

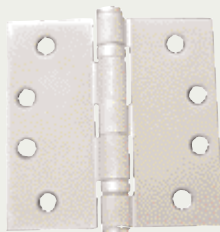


Plain Bearing



PART #	FINISH	SIZE	RADIUS/GAUGE
C40BB	US3 - Bright Brass	4 x 4	1/4" / .130
C40ORB	US10B - Oil Rubbed Bronze	4 x 4	1/4" / .130
C40AN	US15A - Antique Nickel	4 x 4	1/4" / .130
C40BC	US26 - Bright Chrome	4 x 4	1/4" / .130
C40SC	US26D - Satin Chrome	4 x 4	1/4" / .130
C40P	USP - Prime Coat	4 x 4	1/4" / .130
C40ORB-SQ	US10B - Oil Rubbed Bronze	4 x 4	Square / .130
C40SC-SQ	US26D - Satin Chrome	4 x 4	Square / .130
C45ORB	US10B - Oil Rubbed Bronze	4-1/2 x 4-1/2	Square / .134
C45SC	US26D - Satin Chrome	4-1/2 x 4-1/2	Square / .134
C45P	USP - Prime Coat	4-1/2 x 4-1/2	Square / .134

Ball Bearing



PART #	FINISH	SIZE	RADIUS/GAUGE
BB40BB	US3 - Bright Brass	4 x 4	1/4" / .130
BB40ORB	US10B - Oil Rubbed Bronze	4 x 4	1/4" / .130
BB40AN	US15A - Antique Nickel	4 x 4	1/4" / .130
BB40BC	US26 - Bright Chrome	4 x 4	1/4" / .130
BB40SC	US26D - Satin Chrome	4 x 4	1/4" / .130
BB40P	USP - Prime Coat	4 x 4	1/4" / .130
BB40SN-NRP	US15 - Satin Nickel	4 x 4	1/4" / .130
BB40ORB-SQ	US10B - Oil Rubbed Bronze	4 x 4	Square / .130
BB40SC-SQ	US26D - Satin Chrome	4 x 4	Square / .130
BB45ORB	US10B - Oil Rubbed Bronze	4-1/2 x 4-1/2	Square / .134
BB45SC	US26D - Satin Chrome	4-1/2 x 4-1/2	Square / .134
BB45P	USP - Prime Coat	4-1/2 x 4-1/2	Square / .134

Self Closing



PART #	FINISH	SIZE	RADIUS/GAUGE
C40BBSC	US3 - Bright Brass	4 x 4	1/4" / .130
C40ORBSC	US10B - Oil Rubbed Bronze	4 x 4	1/4" / .130
C40SCSC	US26D - Satin Chrome	4 x 4	1/4" / .130

SHIMS

SS720 3/8 x 1-1/2 x 8

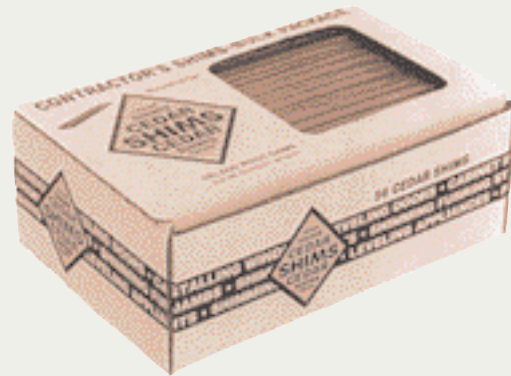
Smart Shims™ are an engineered composite utilizing proprietary technology that combines plastic with a patent pending 100% recycled cellulose fiber. They are ideal for filling gaps during the installation of doors, windows, cabinets, and more. **Smart Shims™** are pre-scored to snap cleanly and leave a smooth edge, reducing installation time with no wood splinters to cause injury. They will not rot, decay, splinter, split, shrink, swell or warp and are impervious to insects, moisture, rust and alkalinity, resulting in a lifetime snug fit and are uniform in size, shape, dimension and the lack of defects reduces the waste associated with traditional wood shims.



Available in Contractor's Choice bulk box or Retailer's Choice.

CS56 3/8 x 1-1/2 x 8

Contractor's Choice Shims are bulk packaged with 56 pieces per box. Shims are used when installing windows and doors providing an easy & quick solution for leveling and setting jambs. Cedar shims, when scored, snap easily for faster production. Available in single box, 1/2 pallet or full pallet quantities.



PS140 3/8 x 1-1/2 x 8

Retailer Choice Shims used the same as Contractor's Choice Shims are made of pine and bundled 14 shims per package. The smaller quantity packages allows for smaller jobs for the do-it-yourselfer who does not need the larger Contractor's Choice Box. Available in case (30 bdls p/case), 1/2 pallet or full pallet quantities.

Shims can also be used when installing cabinets, as garden stakes, building concrete forms and wood shims work excellently as kindling.

